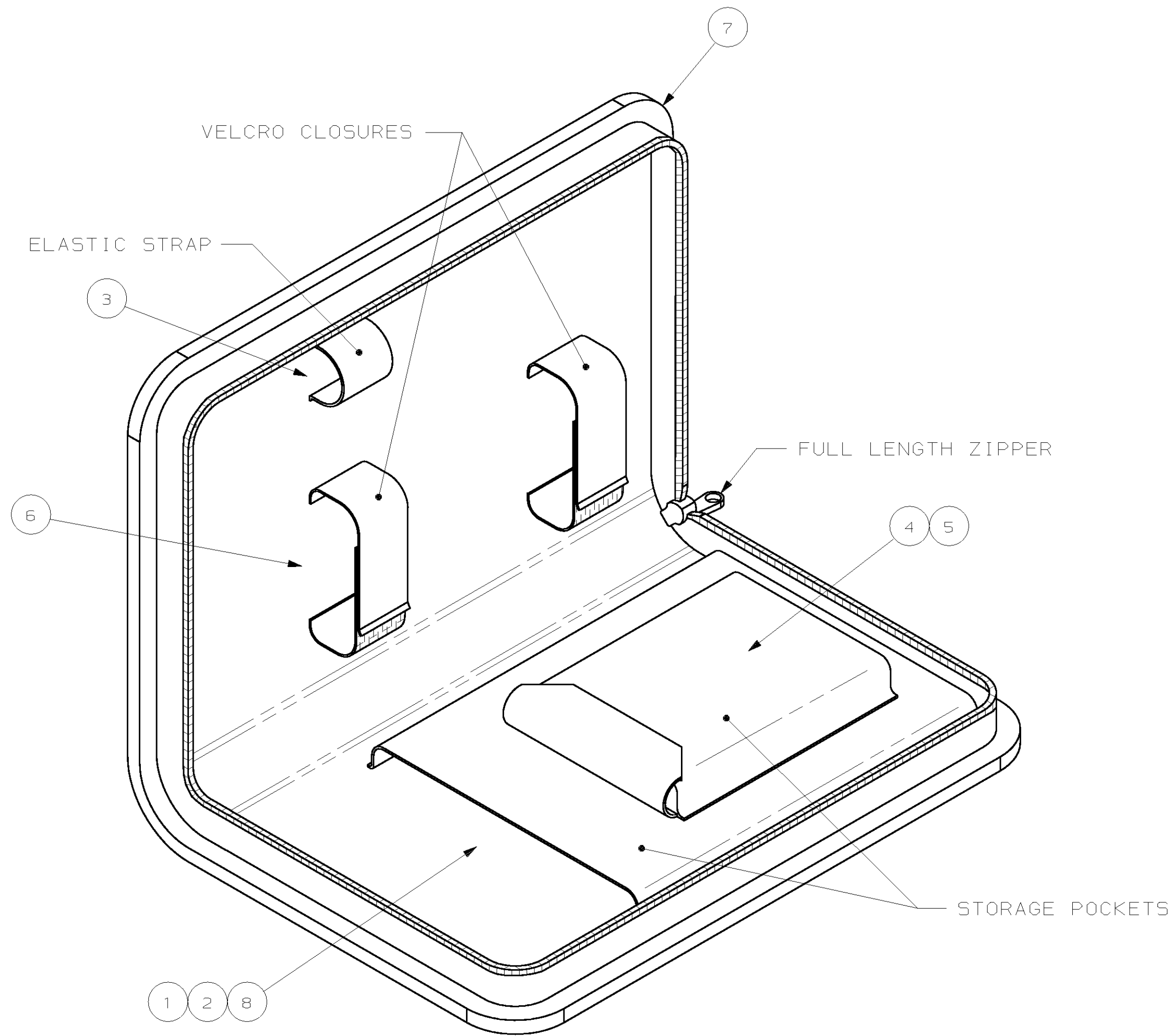


THIS DRAWING IS UNPUBLISHED. RELEASED FOR PUBLICATION .19
 (C) COPYRIGHT 19 BY AMP INCORPORATED. ALL RIGHTS RESERVED.

LOC	DIST	REVISIONS					
		P	LTR	DESCRIPTION	DATE	DWN	APVD
CE	16						
		D		REVISED PER 0A00-0254-02	03APR2002	TA	BE



1. CASE MEASURES APPROXIMATELY 280[11] X 184[7.25] X 51[2] WHEN CLOSED.
 2. ITEMS NOT SHOWN, PLACED IN APPROXIMATE AREA AS SHOWN.

2	1	501523-2	PAD, POLISHING, WHITE	8
	1	492323-1	CASE, SOFT, NYLON, COLOR: BLK	7
2	1	492623-1	HANDTOOL W/DIESET	6
2	1	503574-1	TEMPLATE, STRIP	5
2	1	503337-1	BUSHING, POLISHING	4
2	1	503705-1	UNIVERSAL CLEAVE TOOL	3
2	1	504584-2	PAD, POLISHING, BLACK	2
2	1	501197-3	PLATE, POLISHING	1

THIS DRAWING IS A CONTROLLED DOCUMENT.		DWN	3-6-97	AMP Incorporated Harrisburg, PA 17105-3608
		CHK	3-6-97	
		APVD	3-6-97	
		NAME	B EDWARDS	
DIMENSIONS: mm [IN]		TOLERANCES UNLESS OTHERWISE SPECIFIED:		KIT, TERMINATION, XTC/NeXTC SOFT CASE
		0 PLC ±- 1 PLC ±- 2 PLC ±- 3 PLC ±- 4 PLC ±- ANGLES ±-		
MATERIAL		FINISH		SIZE A2 CAGE CODE 00779 DRAWING NO. C-492322
		CUSTOMER DRAWING		SCALE 1:1.3 SHEET 1 OF 1 REV D

492322